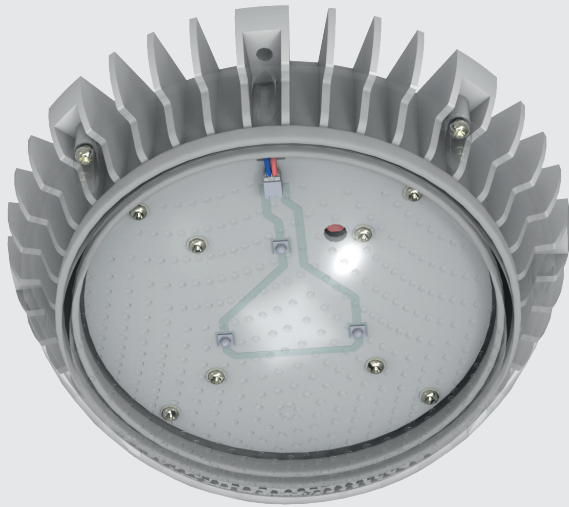




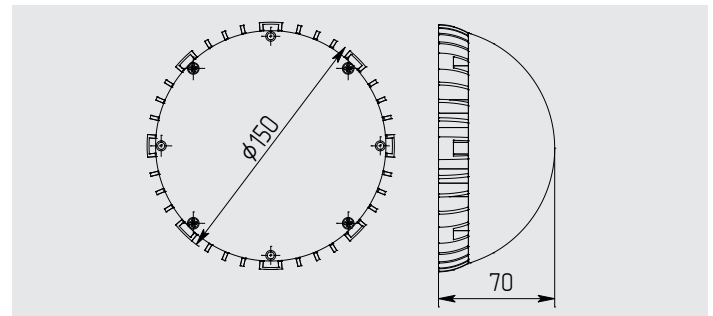
Helios IR-28 SPH

super wide infrared illuminator ceiling installation

MICROLIGHT









Wavelength	850 and 940 nm
Angle	360°
Built-in photocell	yes
Supply voltage	12...24 V AC/DC
Power consumption	8.0 W
Ingress protection	IP55
Operation temperature	-40...+50 °C
Weight	0.75 kg



IR-28 SPH is off



IR-28 SPH is on

-  built-in current regulator
-  low power consumption
-  tripping delay photocell to prevent accidental turn off
-  built-in photocell
-  power over ethernet (PoE) IEEE 802.3af
-  supply voltage 12...24 V AC/DC

	Square of illumination
IR-28 SPH 850	75 m ²
IR-28 SPH 940	40 m ²

IR-28 SPH 850 and IR-28 SPH 940 square of illumination is guaranteed by tests with Mobotix Q24 camera on 4 meters height installation.

- Optional:
- w/o built-in photocell
 - PoE IEEE 802.3af (PoE)
 - RAL color available

