

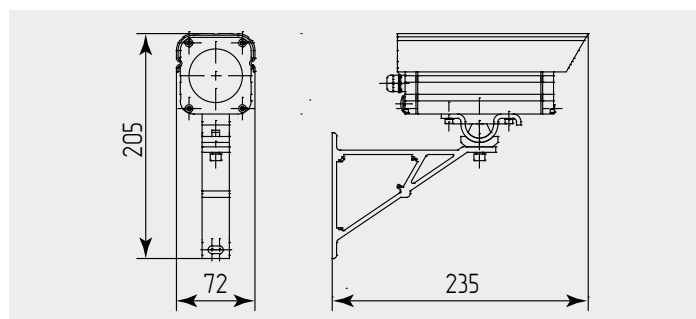
Helios IR-1 ZOOM

Infrared Illuminator for camera with varifocal lens

MICROLIGHT



| | |
|-----------------------|-----------------|
| Wavelength | 850 nm |
| Angle | 2...100° |
| Distance | 18...400 m |
| Built-in photocell | yes |
| Supply voltage | 12...24 V AC/DC |
| Power consumption | 4.0 W |
| Ingress protection | IP67, IK08 |
| Operation temperature | -40...+50 °C |
| Weight | 0.74 kg |



| Angle, ° | Distance, m | Horizontal spot size, m |
|----------|-------------|-------------------------|
| 2 | 400 | 12 |
| 3 | 250 | 12 |
| 4 | 150 | 9 |
| 5 | 120 | 9 |
| 6 | 100 | 9 |
| 9 | 80 | 11 |
| 13 | 60 | 12 |
| 17 | 50 | 13 |
| 25 | 40 | 16 |
| 40 | 30 | 20 |
| 50 | 25 | 20 |
| 65 | 22 | 35 |
| 90 | 20 | 35 |
| 100 | 18 | 40 |

Illumination distance is shown for B/W camera without IR correction, 1/3" CCD, sensitivity not less than $1,5 \times 10^{-5}$ W/m² for 800...1000 nm (equivalent for 0,01 lx), objective F1.4

- built-in current regulator
- low power consumption
- manual stepless adjustment of the angle of radiation, and range of illumination
- IR light filter with minimal loss of radiation power
- lenses system, amplifying the energy of the light beam
- tripping delay photocell to prevent accidental turn off
- built-in photocell
- power over ethernet (PoE) IEEE 802.3af
- supply voltage 12...24 V AC/DC

Options available:

- w/o built-in photocell
- PoE IEEE 802.3af (PoE)
- RAL color available

